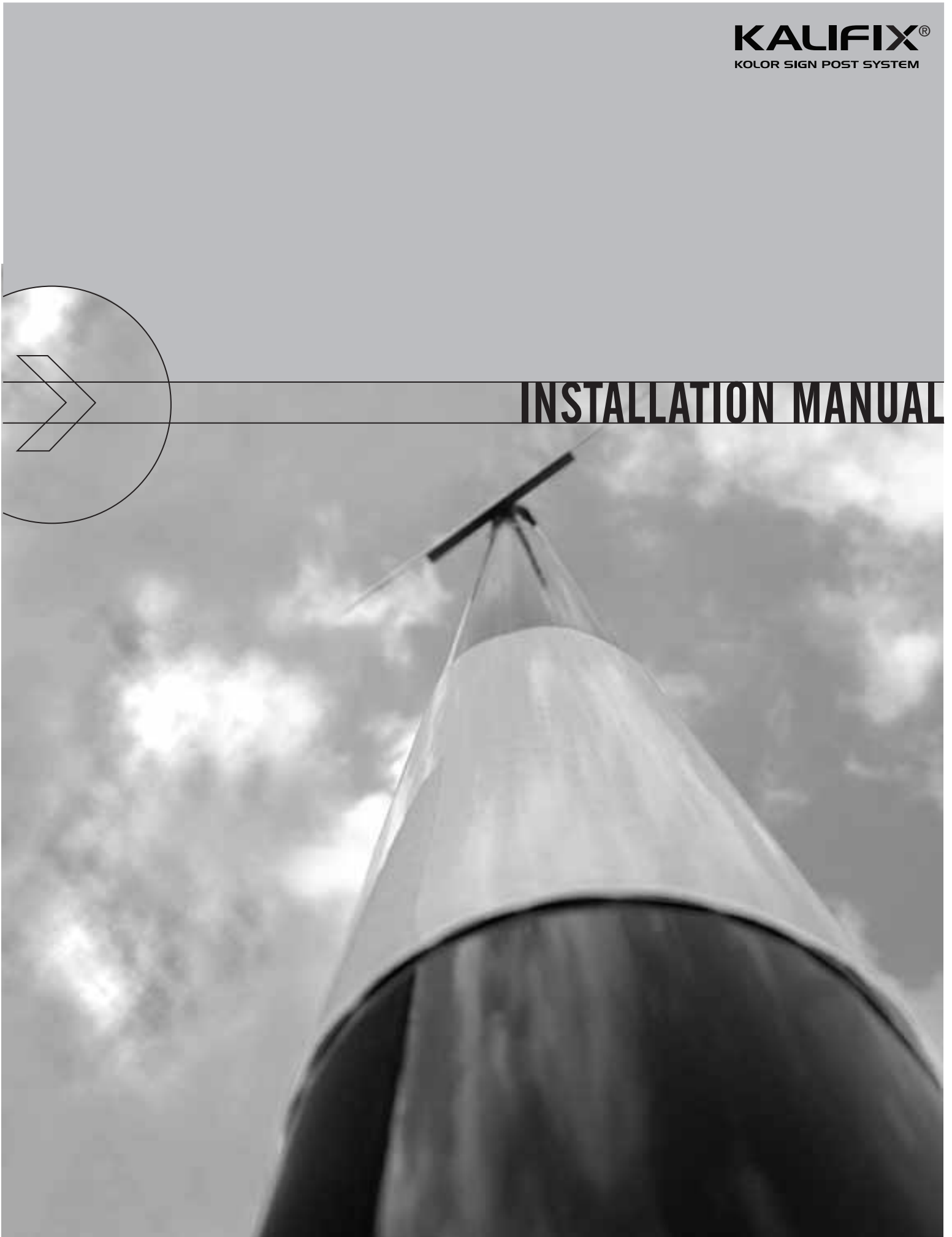


INSTALLATION MANUAL



INSTALLATION OF KALIFIX® SYSTEM

in 6 simple steps

1

STOP!
Before working, call and get informed.
There could be underground ducts, or electrical or telephone cables at the site.

Make sure that there are no underground ducts or cables at the location before attempting to install an anchor.

2

Use a Kalifix® hammer with sounding adapter to sound the soil to avoid rocks and other obstacles.

3

Use a percussion hammer with a Kalifix® adapter to drive the anchor into the soil.

Note: Make sure the anchor is plumb and properly oriented.

4

Use the appropriate hardware to attach the sign to the post.

5

Insert the Up Right pin into the anchor and use a hammer to drive the two locking pins in.

6

Slide the post onto the pin and tighten the two bolts.

INSTALLING THE ANCHOR IN ASPHALT PAVEMENT

in 4 simple steps

1

Drill a 6,4 cm (2.5 in) hole in the pavement and remove material to a depth of 30,5 cm (12 in).

2

Use a Kalifix® asphalt starter to prepare the pavement for the anchor. For Steps 3 and 4, see Installing the Anchor in the Ground: Steps 1 and 2

INSTALLING THE ANCHOR IN THE GROUND

in 2 simple steps

1

Use a percussion hammer with a Kalifix® adapter to drive the anchor into the soil.

2

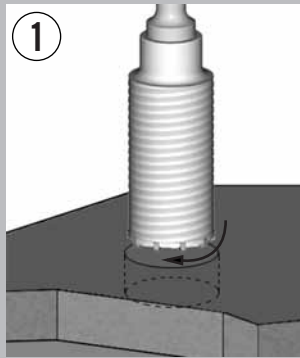
Check for plumb every 15 cm (6 in) until the sleeve is flush with the ground. Add dry sand as you work to increase stability.



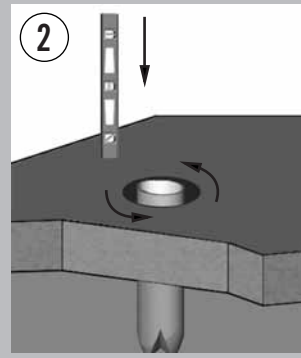
INSTALLING THE ANCHOR

IN CONCRETE

in 2 simple steps



1
Drill a 6,4 cm (2.5 in) inches hole through the slab (if possible, to let water drain).

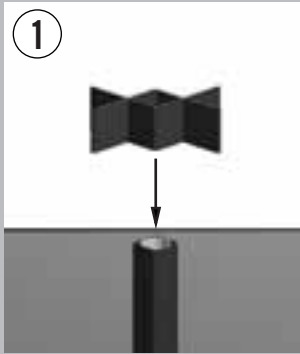


2
Place a piece of geotextile at the bottom of the hole to prevent grout loss and set the anchor in fast-setting concrete grout or in chemical grout.



INSTALLING AN ANCHOR STABILIZER

in 1 simple step

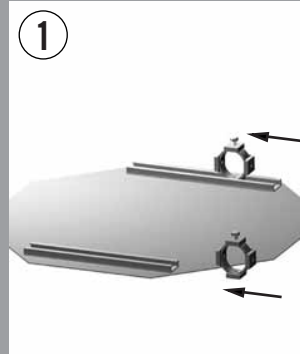


1
Drive the anchor stabilizer into the ground with a sledge hammer.

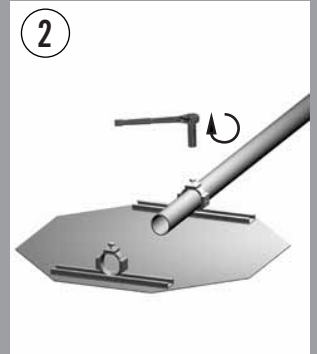


INSTALLING THE BAR SIGN

in 2 simple steps



1
Place the sign face down on a flat surface and slide the brackets into the bars.



2
Slide the post into the brackets and tighten the bolts.

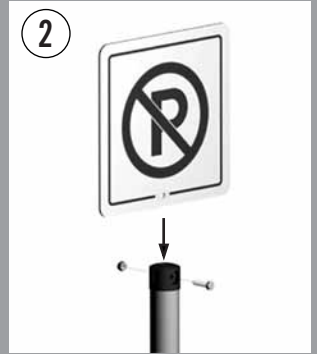
The Kalifix® sign system has been perfected so that you get perfect installations post after post. The Kalifix® post has been developed according to AASHTO standards and meets NCHRP 350 safety standards.

INSTALLING THE HEAD SIGN

in 2 simple steps



1
Insert the head bracket and tighten it into the post.



2
Tighten the head sign bolt on the head bracket.

When working, wear safety equipment:

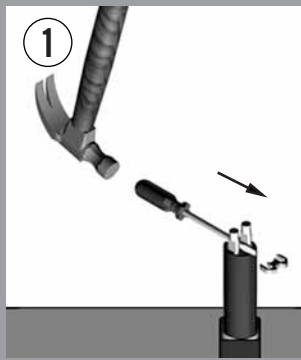
www.kalifix.com



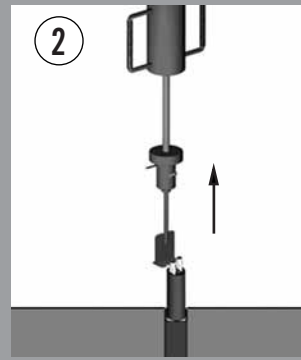
* Please note that measurements in the metric system have been rounded off.

REMOVING AN INTACT PIN

in 2 simple steps



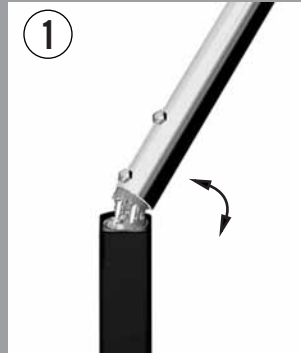
1 Remove the holder block.



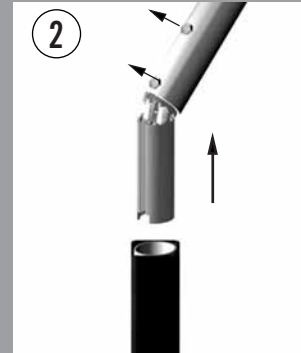
2 Remove the pin with the Kalifix® hammer with pin puller.

REPLACING A BROKEN PIN

in 2 simple steps



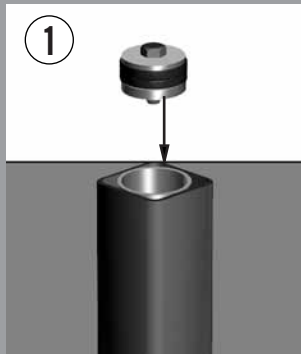
1 Push the post from the horizontal position to the vertical to cause the locking pins to release from the anchor.



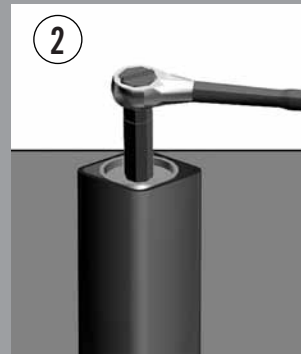
2- Remove the pin bolts and remove the pin from the post.

INSTALLING AN ANCHOR PLUG

in 2 simple steps



1 Insert the plug into the anchor.



2 Tighten the bolt to lock it in the anchor.



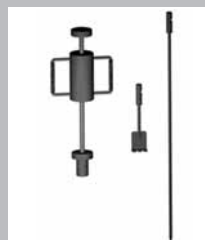
REQUIRED EQUIPMENT

Materials:

- Dry sand
- Asphalt sealer
- Fast-setting concrete grout or chemical grout
- Water
- Piece of geotextile

* Available from Kalitec.

** Available from equipment suppliers.



Kalifix® hammer with sounding adapter and pin puller*



Impact tool**



Ratchet wrench and 9/16 inch socket**



Hammer **
Pliers**



Concrete drill, 2 1/2 inches and 9/16 inches bit**



Level **



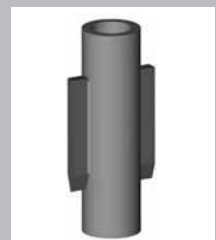
Sawhorse**



Percussion hammer** and Kalifix® planter adapter*



Caulking gun**



Kalifix® asphalt starter*