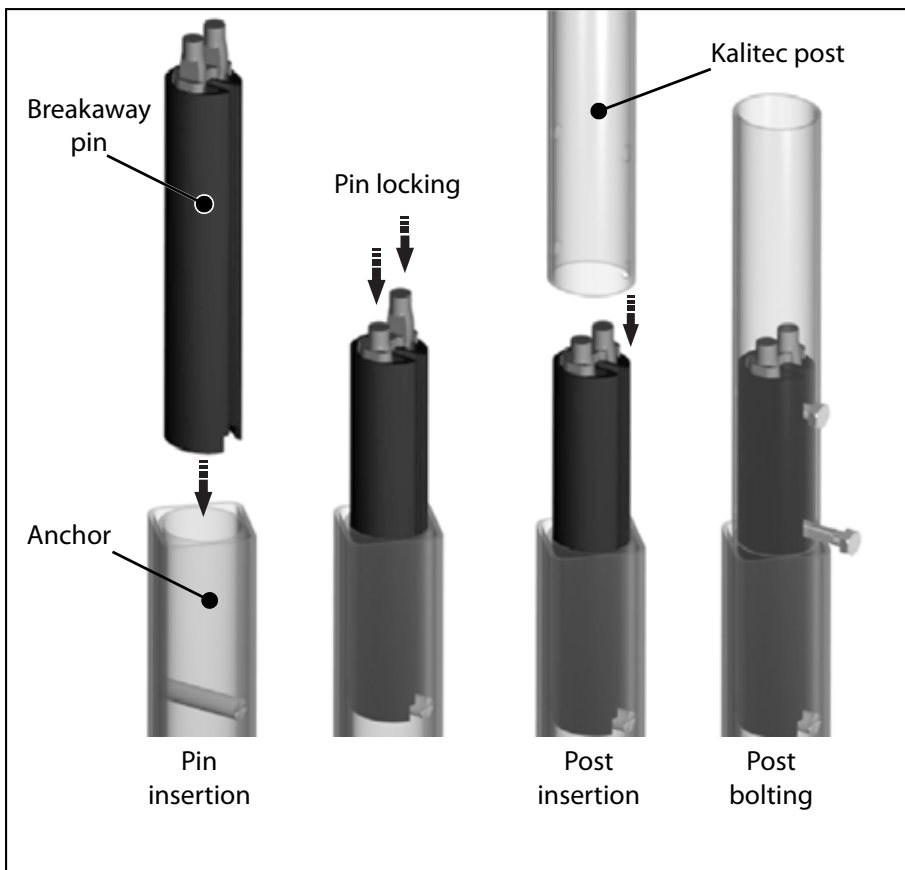
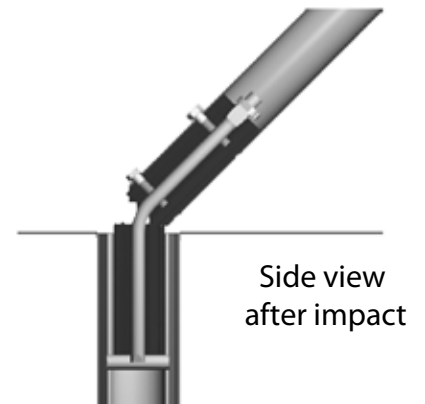
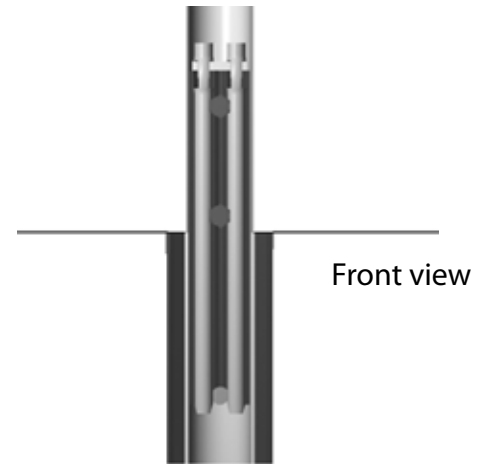


# BREAKAWAY PIN

KGXX-0001

## TECHNICAL SPECIFICATIONS :

- Black painted elliptical aluminum alloy extrusion
- Nominal size : 43 mm (1.7 in) x 48 mm (1.9 in)
- Length : 229 mm (9 in)
- 2 zinc primer painted steel rods, held in place with an aluminum block
- 2 stainless steel bolts 9.6 mm (0.375 in) x 38 mm (1.5 in)
- Strength capacity (long axis) : (Mr)
  - 1.96 kN m
  - 1445 FT lbf
- Impact shearing properties
  - Conforms to NCHRP 350 and AASHTO
  - 35 and 100 km/h testing
  - 360° rupture
  - Flexion class



**Easy 4 steps  
post locking system**

Note : Kalitec reserves the right to modify the design of the parts without notice

**KALITEC**  
SIGNALISATION ET INNOVATION  
INNOVATIVE SIGNAGE

1220 montee Masson, Laval (Quebec) Canada H7E 4P2  
☎ 450.664.4414 1.888.788.4747 📠 450.664.4420 1.866.525.4319  
info@kalitec.com [www.kalitec.com](http://www.kalitec.com)

Made in Canada