

ELLIPTICAL 50 MM POST

KPAX-XXXX

TECHNICAL SPECIFICATIONS :

- Elliptical steel tubing
- Hot dip galvanization ASTM A-123, CSA G164 M-92
- ASTM A 500 grade C (latest version)
- CSA 40.21 (latest version) Class C
- Nominal size (Diameter) :
48 mm (1.9 in) x 53 mm (2.1 in)
- Wall thickness :
2.5 mm (0.1 in)
- Length :
1200 mm (4ft), 1500 mm (5 ft), 1800 mm (6 ft), 2100 mm (7 ft), 2400 mm (8 ft),
2700 mm (9 ft), 3000 mm (10 ft), 3300 mm (11 ft), 3600 mm (12 ft)
and 3900 mm (13 ft)
- High density polyethylene UV resistant black cap

High density
polyethylene
black cap



Surface finish :

1. Natural :

Galvanik : Natural hot dip galvanization surface

2. Colour :

1. K4™ anti-corrosion pretreatment

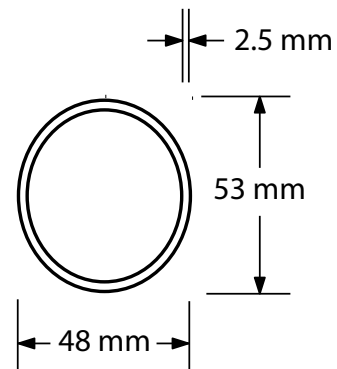
- GalvaniK™ : Hot dip zinc treatment
- MecaniK™ : Sanding the surface to increase coating adhesion
- ChimiK™ : Cleaning and degreasing to increase anti-corrosion and coating adhesion
- ThermiK™ : Degassing which removes gases harmful to the finish

2. Exterior polyester powder-coating

- Exak™ : Colour powder-coating
- Metallik™ : Metallic colour powder-coating
- Uptek™ : Black (smooth or textured) powder-coating

3. White reflective stripes

- Engineer or high-intensity white vinyl option
- Custom logo option



Note : Kalitec reserves the right to modify the design of the parts without notice

KALITEC
SIGNALISATION ET INNOVATION
INNOVATIVE SIGNAGE

1220 montee Masson, Laval (Quebec) Canada H7E 4P2
☎ 450.664.4414 1.888.788.4747 📠 450.664.4420 1.866.525.4319
info@kalitec.com www.kalitec.com

Made in Canada