

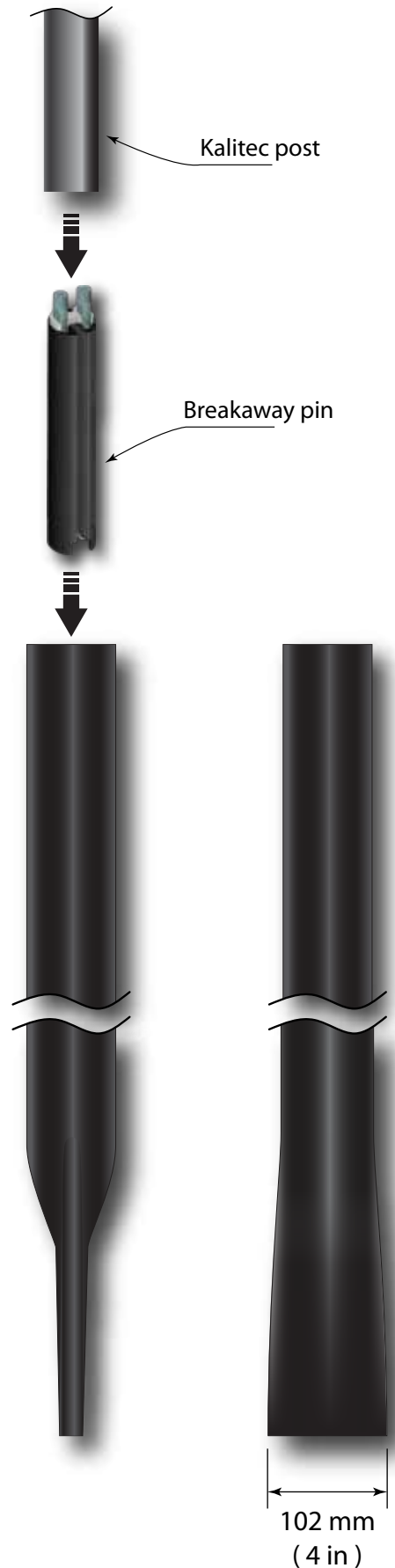
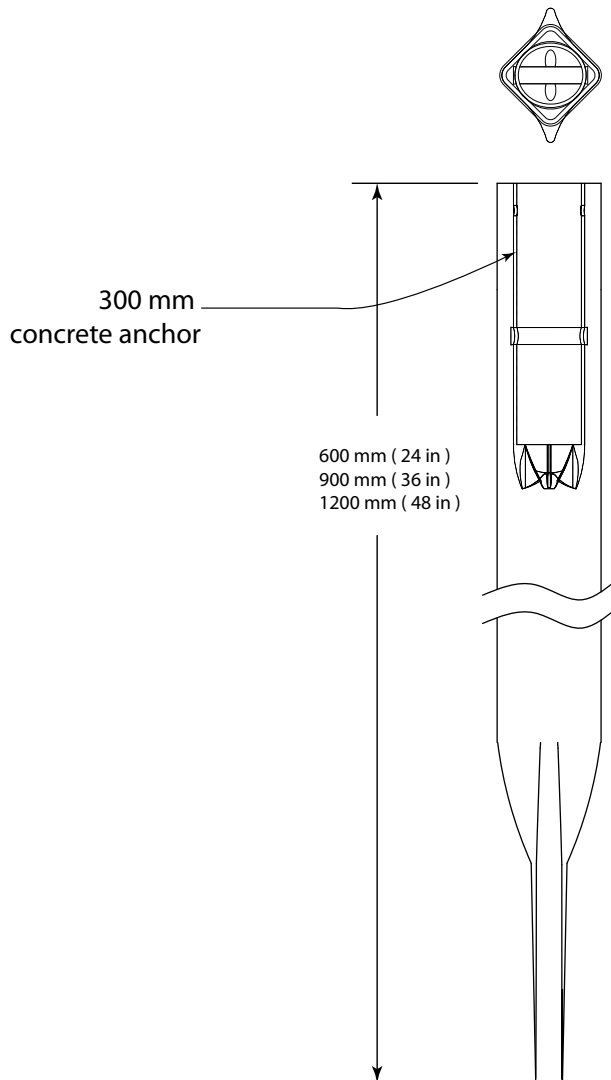
GROUND PIN ANCHOR

KFGX-0006 (600 mm) / KFGX-0016 (900 mm) / KFGX-0022 (1200 mm)

TECHNICAL SPECIFICATIONS :

Pressure Press-Fix insertion of a concrete pin anchor in a square steel tubing
(See concrete pin anchor specs)

- CSA 4021 Classe C 40 W steel square tubing
- Nominal size : 57 mm (2.25 in) x 57 mm (2.25 in)
- Wall thickness : 3.4 mm (0.134 in)
- Length : 600 mm (2 ft), 900 mm (3 ft) or 1200 mm (4 ft)
- End flattened 203 mm (8 in) long and 102 mm (4 in) at the base
- Galvanized treatment (option)



Note : Kalitec reserves the right to modify the design of the parts without notice

KALITEC
SIGNALISATION ET INNOVATION
INNOVATIVE SIGNAGE

1220 montee Masson, Laval (Quebec) Canada H7E 4P2
☎ 450.664.4414 1.888.788.4747 📠 450.664.4420 1.866.525.4319
info@kalitec.com www.kalitec.com

Made in Canada