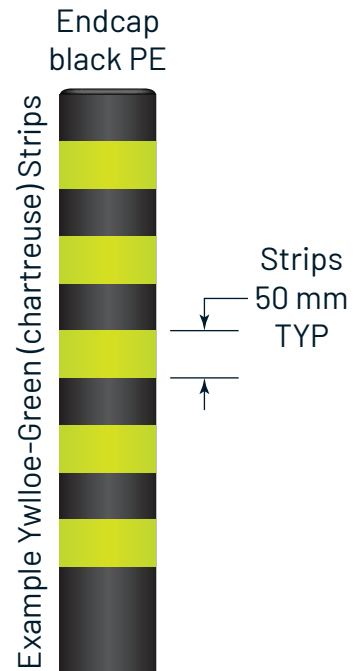


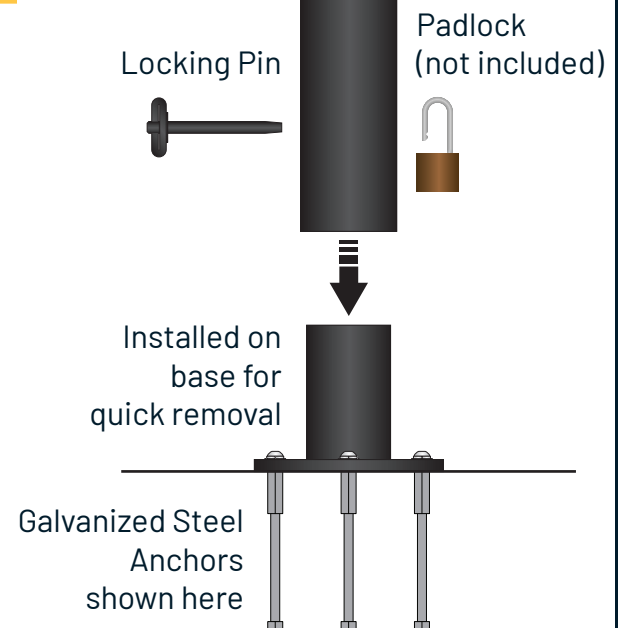
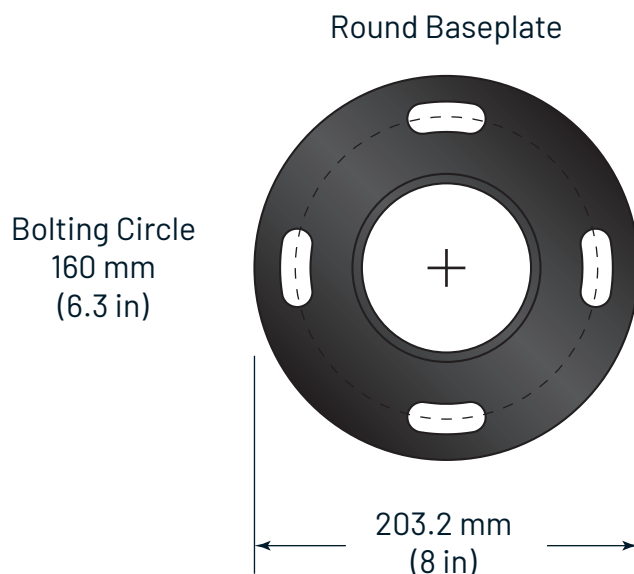
### Data Sheet

#### Specifications

- Aluminum round tubing, length 1200 mm
- Dimensions :  
dia. 101.6 mm (4 in)  
and 5.75 mm (0.226 in) wall thickness
- Five (5x) 50 mm High Intensity grade reflective sheeting strips  
Available colours : Yellow-Green (chartreuse), White, Safety Yellow
- Finishing Endcap, black polyethylene (PE)
- Installed on Base for quick removal :  
203.2 x 203.2 mm (8 x 8 in) round Baseplate, 12.7 mm (1/2 in) aluminum,  
welded inside and outside. 160 mm (6.3 in) Bolting Circle.
- Locking Pin included, Padlock NOT included
- Anchors in accordance to ground type :
  - Four (4x) 3/8-16 Galvanized Steel female Anchors, each with its 3/8-16 anti-theft screw
  - 900 mm Anchor, with threaded, welded plate and four (4x) 3/8-16 anti-theft screws



#### Details



### Data Sheet

#### ➤ Installations Overview

#### Available Strips Colours



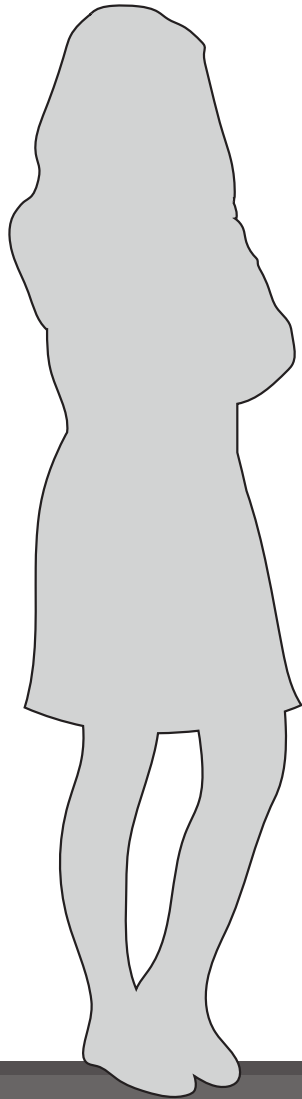
Yellow-Green  
(chartreuse)



White



Safety Yellow



Example White Strips



Height  
1200 mm  
(47.25 in)

Example Safety Yellow Strips



3/8-16 Anchors,  
Galvanized Steel

900 mm Anchor  
with threaded, welded plate  
and 3/8-16 anti-theft screws

brgfx freepik