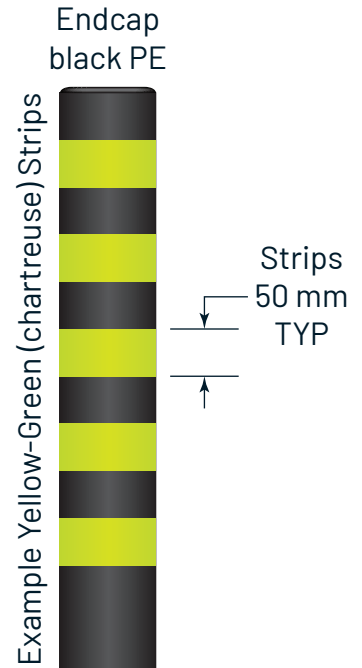


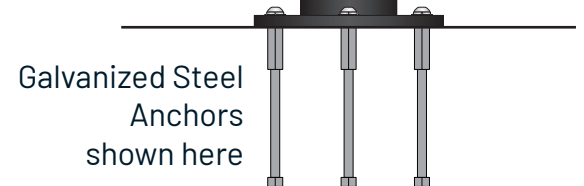
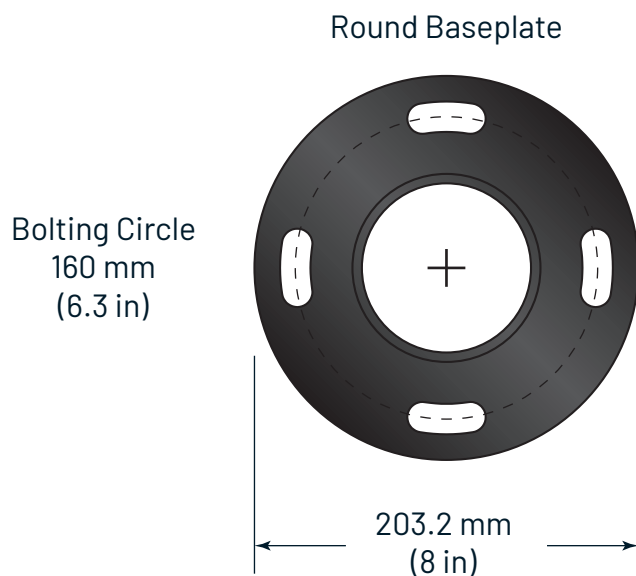
Data Sheet

Specifications

- Aluminum round tubing, length 1200 mm
- Dimensions :
dia. 101.6 mm (4 in)
and 5.75 mm (0.226 in) wall thickness
- Five (5x) 50 mm High Intensity grade reflective sheeting strips
Available colours : Yellow-Green (chartreuse), White, Safety Yellow
- Finishing Endcap, black polyethylene (PE)
- Installed directly on ground :
203.2 x 203.2 mm (8 x 8 in) round Baseplate, 12.7 mm (1/2 in) aluminum,
welded inside and outside. 160 mm (6.3 in) Bolting Circle.
- Anchors in accordance to ground type :
 - Four (4x) 3/8-16 Galvanized Steel female Anchors, each with its 3/8-16 anti-theft screw
 - 900 mm Anchor, with threaded, welded plate and four (4x) 3/8-16 anti-theft screws



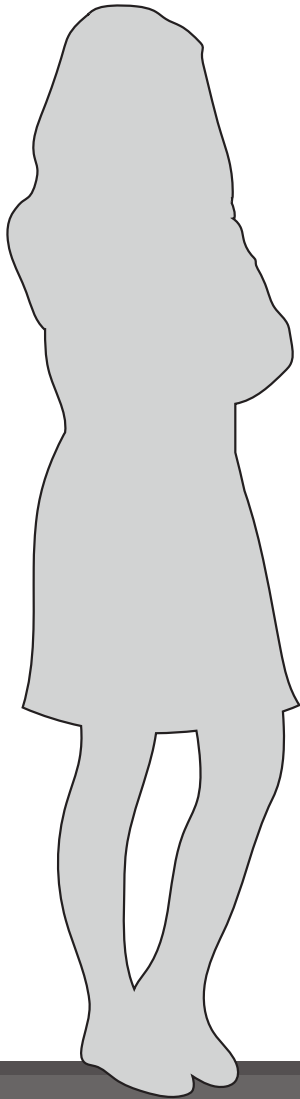
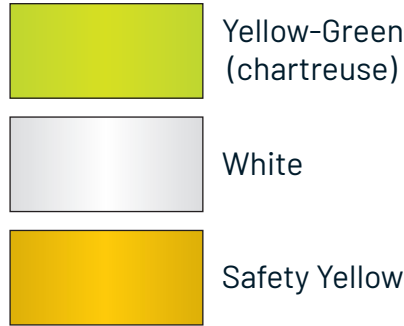
Details



Data Sheet

Installations Overview

Available Strips Colours



Example White Strips



Example Safety Yellow Strips



Height
1200 mm
(47.25 in)

3/8-16 Anchors,
Galvanized Steel

900 mm Anchor
with threaded, welded plate
and 3/8-16 anti-theft screws

brgfx freepik