

DATA SHEET

> Specifications

- Elliptical steel tubing
- Hot dip galvanization treatment
ASTM A-123, CSA G164 M-92
- ASTM A 500 grade C (latest version)
- CSA 40.21 (latest version) Class C
- Nominal dimensions :
48 x 53 mm (1.9 x 2.1 in)
- Wall thickness :
2.5 mm (0.1 in)
- Lengths :
900, 1200, 1500, 1800, 2100, 2400, 2700, 3000, 3300, 3600
and 3900 mm (3, 4, 5, 6, 7, 8, 9, 10, 11, 12, 13 ft)
- Finishing end capapuchon de finition in black,
high density polyethylene (HDPE) with UV-rays protection

Finishing end cap,
black polyethylene (HDPE)



Variable lengths,
from 900 to 3900 mm (3 to 13 ft)
in 300 mm (1 ft) increments

> Available Finishes

1. Pre-Treatment

- Chimik: Cleaning and degreasing to have best coating adherence

2. Polyester powder-coating for outdoor use

- Exak Series: Polyester powder, choice of colours (see standard chart)
- Metallik Series: Metallic polyester powder, choice of colours (see standard chart)
- Uptek Series: Polyester powder, smooth or textured black
- Galvanik Series: Natural aluminium

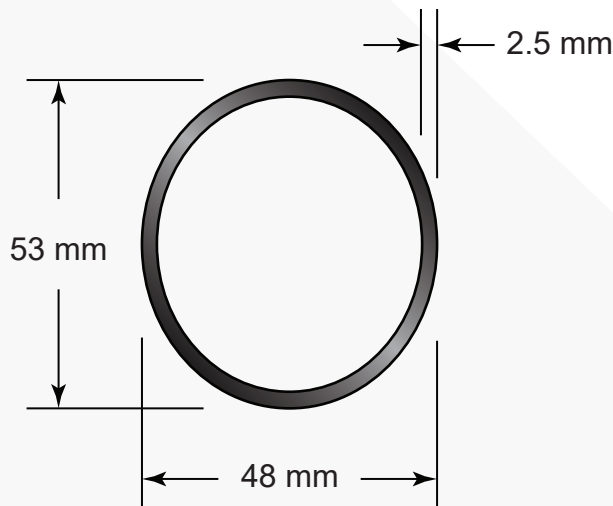
Galvanik



Uptek



> Overview



Openings for Kalifix™
breakaway pin
(on 1 side only)

