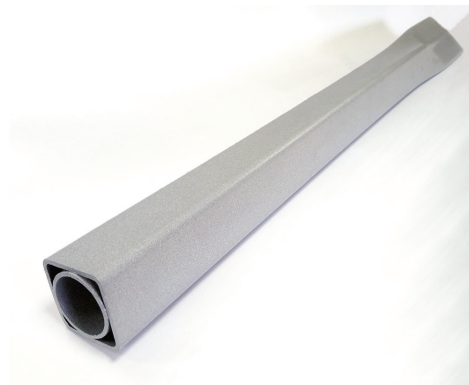


Data Sheet

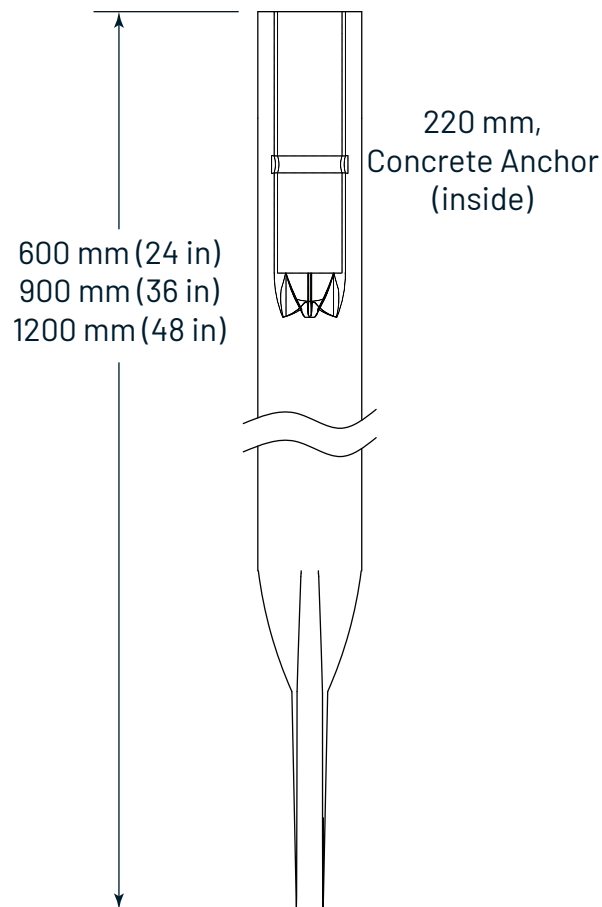
> Specifications

220 mm concrete anchor, Press-Fit inserted in a square tube.
See Concrete Anchor technical details.

- Square steel tubing, CSA 4021 Class C 40 W
- Dimensions, nominal : 57 x 57 mm (2-1/4 x 2-1/4 in)
- Wall thickness : 3.4 mm (.134 in)
- Lengths : 600 mm (2 ft), 900 mm (3 ft), 1200 mm (4 ft)
- Flatten 102 x 203 mm (4 x 8 in) lower end
- Painted with recycled powder-coating



> Overview



> Installation

Installation Tools



Jackhammer Adapter
for elliptical shapes
(KOXX-0006)



Sledgehammer Adapter,
for elliptical shapes
(KOXX-0007)

