

## DATA SHEET

### > Specifications

- 6005-T6 aluminum alloy extrusion
- Dimensions : 70 x 75 x 25 mm (2.75 x 3 x 1 in)
- Two (2) or three (3) 3/8-16 bolts with flat washers, lock washers, all stainless steel

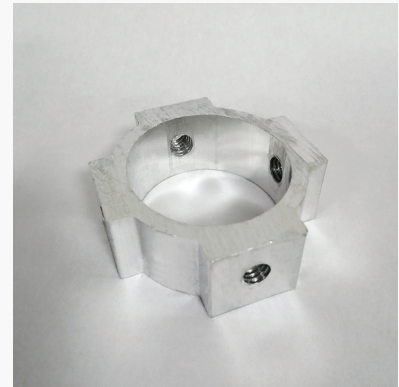
### > Available Finishes

#### 1. Pre-Treatment

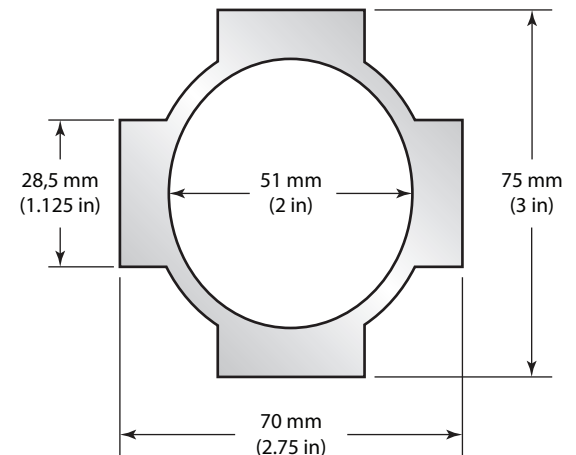
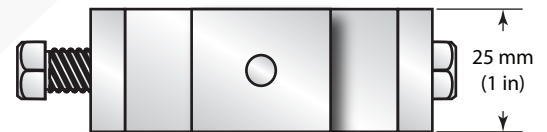
- Chimik: Cleaning and degreasing to have best coating adherence

#### 2. Polyester powder-coating for outdoor use

- Exak Series: Polyester powder, choice of colours (see standard chart)
- Metallik Series: Metallic polyester powder, choice of colours (see standard chart)
- Uptek Series: Polyester powder, smooth or textured black
- Galvanik Series: Natural aluminium

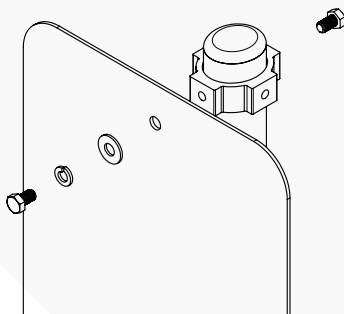


### > Overview



### > Installation

#### Single-Sided



#### Double-Sided

