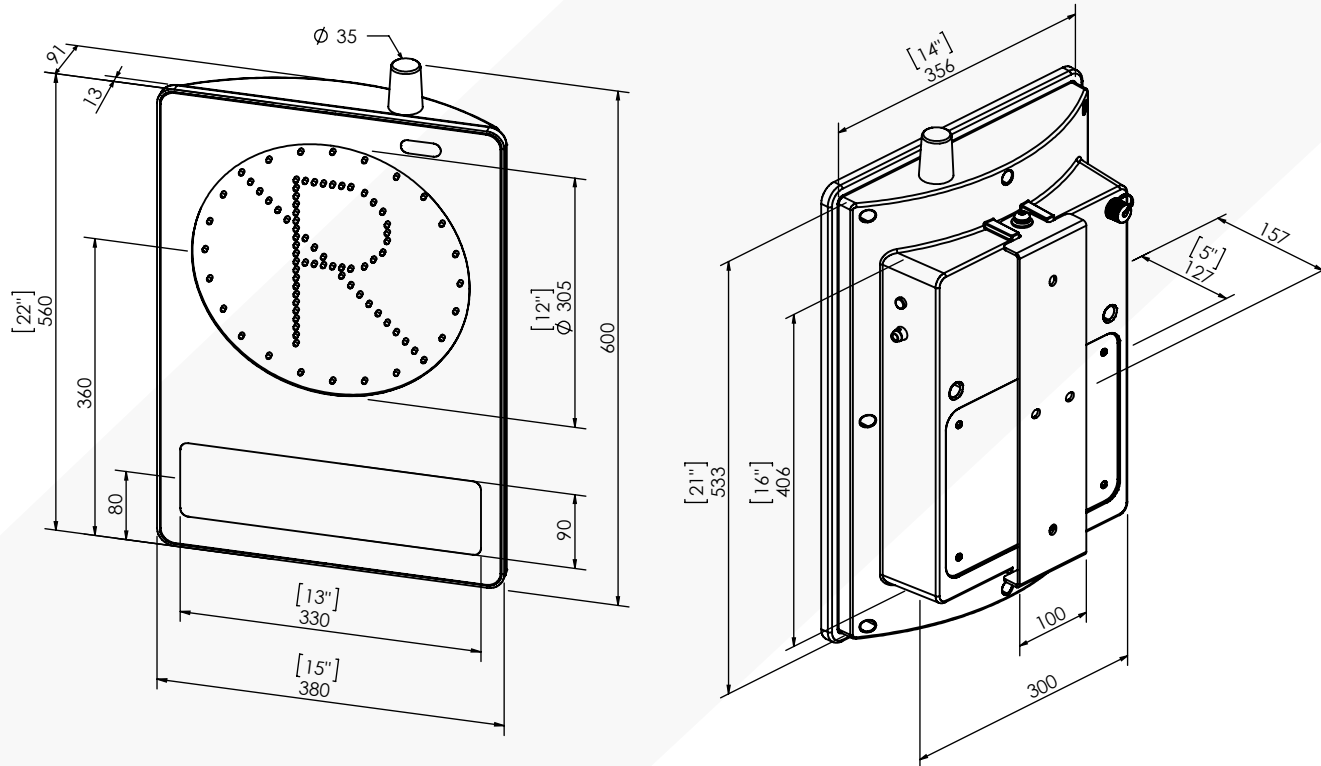


Design	Installation
Web controlled "No Parking Lights" are an alternative to temporary "No Parking" signs. Users can activate them only when necessary and the water-proof casing protects the electronic components from outdoor elements.	Universal bracket that allow installation on all kind of poles and lamp posts. (Structural resistance must be validated beforehand)



Dimensions are in millimeters

**System overview**

Control	Actvication through personalized web page allowing : <ul style="list-style-type: none"> <li>• Global geolocated view of lights, with color code according to their status</li> <li>• Programming and start-up time ("repeat event" function for recurrent activations)</li> <li>• Unit information: status, battery status, charge history</li> <li>• Detailed record of all activations and deactivations</li> </ul>
Communication	Long-range low cost communication via LORA network Very low energy consumption allowing real-time communication
Display	300 mm diameter No Parking pictogram, with orange LEDsflashing at 60 cycles per minute. Complete matrix of 32 X 8 orange pixels available for time message or other text. Permitting 6 fixed characters or 32 characters in scrolling mode. Built-in photocell for automatic intensity control
LEDs	High luminous intensity diodes (20,000 CD/m2)
Casing	Waterproof. 15 x 22" (38 x 56 cm). Made of resistant plastic providing optimal protection against the elements and UV rays Easy access separated battery compartment

**Power management**

Battery	High performance AGM battery - 12 V 20 AH, replaceable and recyclable (sealed without maintenance) 5 years longevity, connectors included for easy replacement
Power supply	Solar panel, 12 V monocrystalline 20 ou 50 W depending on lighting on site CE and TUV certified AC version with or without back up battery available
Autonomy	More than 72 hours on flashing including the bottom text